

## IDS 9211XGP

### Overview

The IDS 9211XGP is the smallest, an industrial-grade 10G Ethernet media converter (**from 1000Base-X SFP+ to 10G/5G/2.5G/1G/100M Base-T Copper**) with **802.3bt Power over Ethernet Plus Plus (PoE++)** injector function to deliver up to **90W** of power output and high data transmission speed to PDs (powered devices) installed in a remote area where sufficient and reliable power input is required, providing non-blocking wire-speed performance and great flexibility for 10G Ethernet extension in harsh industrial environment. It is equipped with one 10G/5G/2.5G/1G/100M Base-T RJ45 copper interface and one 10GBase-X SFP+ fiber optic interface delivered in an IP30 rugged but compact sized strong case with redundant power system (**44~57VDC**).

The IDS 9211XGP is ideal for wide applications from copper to fiber media conversion wherever 10GE bandwidth is required in climatically demanding environments with wide temperature.

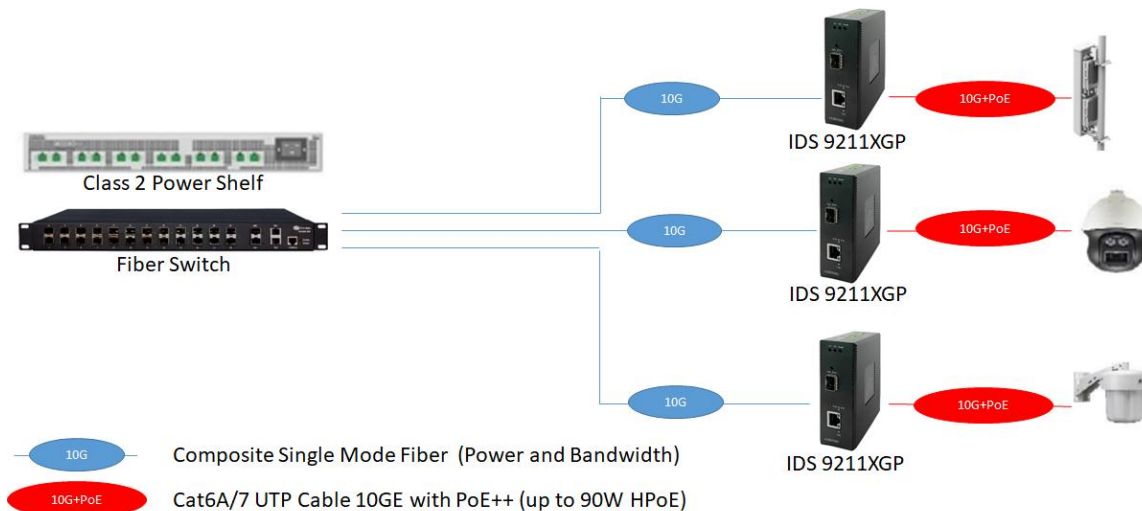


### Highlights

- 1\*port 10G/5G/2.5G/1G/100M Base-T RJ45 interface with IEEE 802.3bt PoE++ injector function
- 1\*port 10GBase-X SFP+ interface
- Complies with IEEE 802.3bt PoE++ Type-4 PSE
- Backward compatible with IEEE 802.3af/at PoE+ standard
- Supports PoE Power up to 90 watts for PoE port
- Provides DC 55V power over RJ45 Ethernet cable to PD with Ethernet port
- Auto-detect IEEE 802.3bt equipment and protect device from being damaged by incorrect installation
- Remote power feeding up to 100m

## Application

- Single sided – extending the reach of an optical switch



- Double sided – extending the reach of a copper switch

